

## Installation: instructions – carpet tiles

### Packaging

A pallet comprises 20 boxes; each box contains 5 m<sup>2</sup> of carpet tiles.  
To prevent damage, pallets may not be stacked on top of each other.

The quality, colour and batch number are mentioned on each box. It is necessary to use the same batch number in one room, so as to guarantee the appearance and colour.

The temperature, when installing the tiles, must be between 10° and 25°C, at a relative humidity of  $\pm 60$  %. Prior to installation, the tiles should preferably be stored in opened packaging on a flat surface in the room. In this way, they can adapt to the ambient temperature.

### Floor base

Carpet tiles can be installed on every floor, provided it is flat, dry, clean, sturdy and solid.

Carpet tiles can also be placed on a floor with underfloor heating.  
In such a case, the temperature may not exceed 20°C and the heating must be switched off at least 48 hours in advance.

### Installation

All tiles are made to be installed separately.  
For office use, we recommend using an anti-slip glue or release bond.  
These types of glue have a staying, non-hardening adhesive effect when they dry.

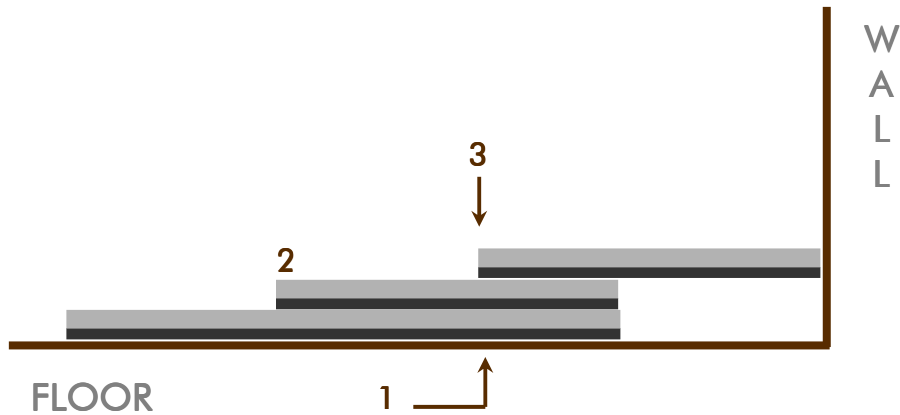
The tiles must be installed tightly close to each other, the backing must fit tightly, and the poles may not be clamped.

An arrow on the rough side of every tile indicates the pole direction.

When installing the tiles on the floor, it is best to start from the door opening, installing a complete tile there, and continue to the middle of the room in parallel with the main wall. This mid point serves as a point of departure for the subsequent step-by-step installation of the tiles.

### Edge

- STEP 1 Place the tile to be cut (2) on the last tile installed (1)
- STEP 2 Slide a 3<sup>rd</sup> tile (3) against the wall. Cut the tile to be placed (2) along the edge of the tile (3).
- STEP 3 Install the cut tile (2) against the wall.



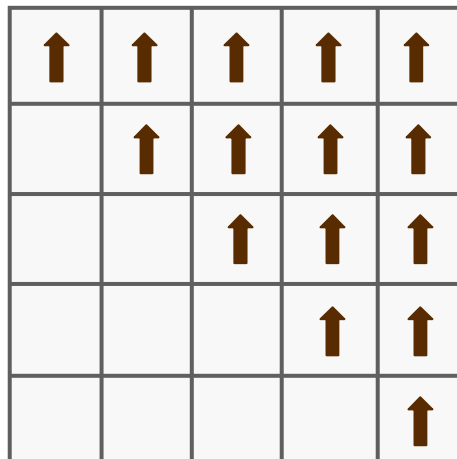
No furniture must be placed during the installation of the floor. We therefore recommend that heavy furniture be moved on hardboard plates, to prevent damaging the carpet. The floor must not be stepped on during the installation either.

### Design

The tiles can be installed in various patterns.

#### Broadloom

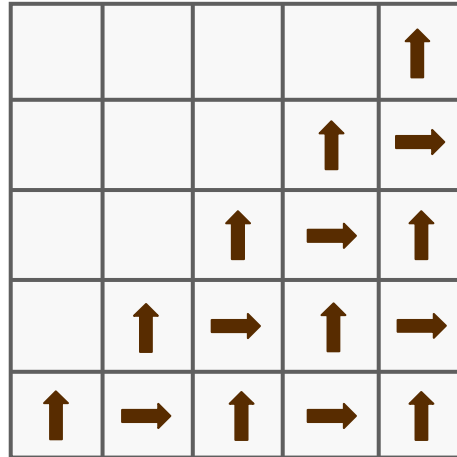
All tiles are placed in the same direction so as to obtain a uniform floor covering.



All arrows in the same direction.

### Draughtboard

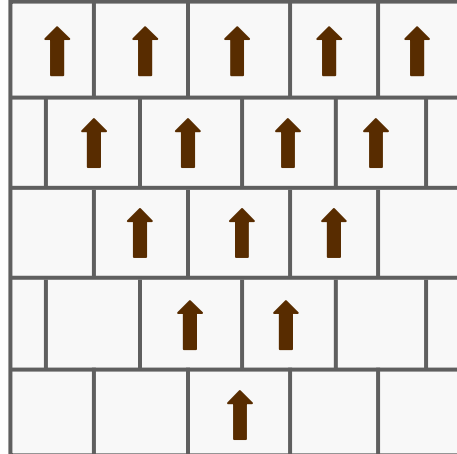
Every tile is turned 90° in regard to each other so that no tile is in the same direction as the tile next to it.



Arrows in 90° angles facing each other.

### Brick-laying pattern

Each tile is shifted half a row; installed wall to wall or in draughtboard pattern.



Each row is shifted half a row from each other, so there are never 4 converging corner points.